

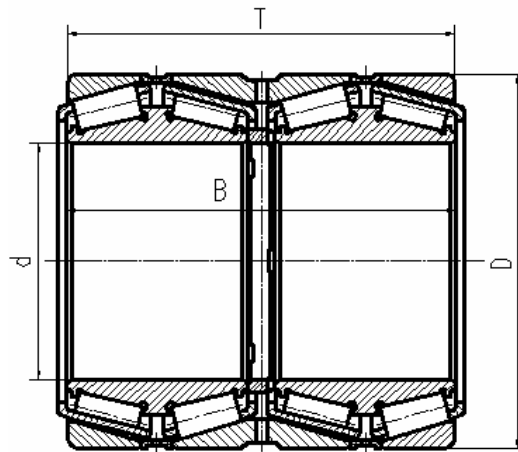


## LUOYANG BLG BEARING INC.

1907, Tower B, Multinational Ginza.  
 12 Anhui RD, 471003 Luoyang China  
 Tel: 86-379-6468 7568  
 Fax: 86-379-6468 7169  
 E-mail: info@blgbearing.sina.net

### Four-row tapered roller bearings

Four-row tapered roller bearings have two double raceway inner rings, a double raceway outer ring and two single raceway outer rings. The radial and axial clearance can be adjusted by changing the width of spacers. Four-row tapered roller bearings are capable of carrying higher radial loads in both directions, but limiting speed is relatively lower, they are able to take up those axial loads which occur in such applications in addition to radial loads. Four-row tapered roller bearings are used successfully worldwide for rolling mill bearing arrangements where rolling speeds are slow to moderate.



d	Dimensions			Load ratings		Fatigue load limit	Mass limit	Designation
	D	T	B	dynamic C	static C <sub>0</sub>	P <sub>u</sub>	Kg	
	mm			KN		KN		
<b>500</b>	670	387.35	400.05	7210	19300	1460	385	<b>BT4-8056G/HA1</b>
<b>500</b>	720	400	400	8250	20400	1460	550	<b>BT4B 328524/HA1</b>
<b>501,65</b>	673,1	387,35	400,05	7210	19300	1460	395	<b>BT4B 331499 G/HA1</b>
<b>501,65</b>	711,2	520,7	520,7	10200	27500	1960	755	<b>331081 A</b>
<b>501,65</b>	711,2	520,7	520,7	8090	19600	735	610	<b>BT4-8059 G/HA1VA901</b>

<b>508</b>	762	463,55	463,55	10100	23200	1700	730	<b>332131</b>
<b>510</b>	655	379	377	7800	19000	1370	325	<b>BT4B 331747 E/C775 *</b>
<b>510</b>	655	379	377	5720	16300	1160	310	<b>BT4B 334022 G/HA1VA901</b>
<b>514,35</b>	673,1	422,275	422,275	7210	21600	1560	410	<b>331157 A</b>
<b>514,35</b>	673,1	422,275	422,275	7810	21600	1560	405	<b>331157 BG</b>
<b>514,35</b>	673,1	422,275	422,275	6820	19000	1370	395	<b>BT4-8045 G/HA1VA901</b>
<b>515</b>	700	420	420	7920	21600	1560	515	<b>BT4B 328965/HA1</b>
<b>519,112</b>	736,6	536,575	536,575	11400	31000	2160	755	<b>331078 A</b>
<b>520,7</b>	711,2	400,05	400,05	7480	19600	1460	460	<b>BT4B 331243 A/HA1</b>
<b>530</b>	680	440	440	8250	23600	1630	405	<b>BT4-8043 G/HA1</b>
<b>536,575</b>	761,873	558,8	558,8	11700	32000	2200	835	<b>BT4B 331174/HA1</b>
<b>540</b>	690	400	400	7040	21200	1500	375	<b>331978</b>
<b>540</b>	690	400	400	8150	19300	1400	370	<b>BT4-8108 E/C625 *</b>
<b>540</b>	690	400	434	7040	21200	1500	400	<b>BT4B 334038 G/HA3</b>
<b>540</b>	690	434	434	7040	21200	1500	390	<b>BT4B 334028 G/HA1VA901</b>
<b>540</b>	690	440	440	7480	21200	1500	395	<b>BT4-8038 G/HA1VA901</b>
<b>558,8</b>	736,6	322,262	322,262	5830	14300	1060	345	<b>BT4B 328864 G/HA4VA901</b>
<b>558,8</b>	736,6	322,268	322,265	6270	16600	1220	375	<b>331165A</b>
<b>558,8</b>	736,6	322,268	322,265	6270	16600	1220	375	<b>331165 AG</b>
<b>558,8</b>	736,6	409,575	409,575	7650	22000	1560	475	<b>330993 BG</b>
<b>558,8</b>	736,6	409,575	409,575	8250	22000	1560	480	<b>BT4B 330993 AG/HA1</b>
<b>558,8</b>	736,6	409,575	409,575	6600	20000	1430	475	<b>BT4B 334080 G/HA1VA901</b>
<b>558,8</b>	736,6	457,2	455,612	8580	23200	1630	515	<b>BT4-8022 G/HA1VA919</b>
<b>558,8</b>	736,6	457,2	455,612	8420	26000	1800	545	<b>BT4B 331346 A/HA1</b>
<b>558,8</b>	736,6	457,2	455,612	8420	26000	1800	545	<b>BT4B 331346/HA1</b>
<b>558,8</b>	736,6	457,2	455,612	7920	23200	1630	515	<b>BT4B 334136 G/HA1VA901</b>
<b>560</b>	920	618	618	16500	34000	2320	1700	<b>BT4B 328509/HA4</b>
<b>571,5</b>	812,8	593,725	593,725	12100	32000	2160	1000	<b>330529 B</b>
<b>571,5</b>	812,8	593,725	593,725	13200	36000	2400	1105	<b>BT4B 332666/HA1</b>
<b>571,5</b>	812,8	593,725	593,725	11900	33500	2280	1000	<b>BT4B 334144 G/HA1VA901</b>
<b>584,2</b>	730,25	349,25	342,9	6800	17000	1200	327	<b>BT4B 331189 E/C600 *</b>
<b>584,2</b>	762	401,638	396,875	7650	22400	1560	485	<b>331148 A</b>
<b>584,2</b>	901,7	539,747	523,08	13400	28000	2000	1250	<b>BT4B 328314 G/HA1</b>

<b>585,788</b>	771,525	479,425	479,425	9900	30000	2040	625	<b>331093 A</b>
<b>585,788</b>	771,525	479,425	479,425	9520	27500	1860	595	<b>BT4B 328888 G/HA1VA901</b>
<b>585,788</b>	771,525	479,425	479,425	10600	30000	2040	620	<b>BT4B 331093 BG/HA1</b>
<b>595,312</b>	844,55	615,95	615,95	13400	36500	2400	1115	<b>331300</b>
<b>595,312</b>	844,55	615,95	615,95	17300	39000	2550	1180	<b>BT4B 331300 E/C775 *</b>
<b>596,9</b>	980	609,6	604,838	16800	36500	2450	1920	<b>331566</b>
<b>600</b>	870	488	488	12500	29000	2040	940	<b>BT4B 328350 G/HA1</b>
<b>603,25</b>	857,25	622,3	622,3	14700	40500	2700	1235	<b>331625</b>
<b>609,6</b>	787,4	361,95	361,95	7370	21200	1500	455	<b>331175 A</b>
<b>609,6</b>	787,4	361,95	361,95	7370	18600	1370	425	<b>BT4B 328871 BG/HA1VA902</b>
<b>609,6</b>	787,4	361,95	361,95	6820	18600	1370	430	<b>BT4B 328871 G/HA1VA901</b>
<b>609,6</b>	813,562	479,425	479,425	10600	30500	2080	715	<b>331925</b>
<b>609,6</b>	813,562	479,425	479,425	9680	27500	1900	695	<b>BT4B 334108 G/HA4VA901</b>
<b>609,6</b>	863,6	660,4	660,4	15100	41500	2700	1240	<b>332391</b>
<b>620</b>	800	363,5	363,5	7040	18000	1320	440	<b>BT4-8055 G/HA1VA902</b>
<b>620</b>	800	363,5	363,5	7480	21600	1530	465	<b>BT4B 328510/HA1</b>
<b>625</b>	815	480	480	13200	31000	2120	660	<b>BT4-8031 E/C800 *</b>
<b>635</b>	901,7	654,05	654,05	15700	45000	2900	1420	<b>330990 A</b>
<b>635</b>	901,7	654,05	654,05	14500	41500	2700	1355	<b>BT4B 334141 G/HA1VA901</b>
<b>646,112</b>	857,25	542,925	542,925	12100	36500	2400	875	<b>BT4B 332671/HA1</b>
<b>647</b>	1030	560	560	16800	38000	2550	1760	<b>BT4-8065 G/HA1</b>
<b>648</b>	1030	560	560	16800	38000	2550	1760	<b>BT4-8063 G/HA1</b>
<b>648</b>	1030	592	592	16800	38000	2550	1825	<b>BT4-8064 G/HA1VA901</b>
<b>650</b>	915	674	674	16100	45000	2900	1430	<b>332307</b>
<b>650</b>	1030	560	560	16800	38000	2550	1810	<b>BT4B 332827 AG/HA1</b>
<b>650</b>	1030	560	560	16500	36500	2500	1830	<b>BT4B 332827/HA1</b>
<b>650</b>	1030	592	592	16800	38000	2550	1805	<b>BT4-8009 G/HA1VA901</b>
<b>650</b>	1040	610	610	17600	36500	2500	1970	<b>BT4-8036 G/HA1</b>
<b>650</b>	1040	610	610	17600	36500	2500	1970	<b>BT4-8037 G/HA1VA901</b>
<b>657,225</b>	933,45	676,275	676,275	17200	49000	3150	1575	<b>330824 A</b>
<b>660</b>	855	318,48	319,192	6160	17000	1220	490	<b>BT4B 331065 AG/HA4</b>
<b>660</b>	855	318,48	400,842	6270	17300	1220	490	<b>BT4B 334002 G/HA1VA901</b>

<b>660</b>	855	318,5	318,5	7040	18600	1320	490	<b>BT4B 328511/HA1</b>
<b>660</b>	1070	648	648	19000	38000	2500	2260	<b>BT4-8060 G/HA4VA901</b>
<b>660,4</b>	812,8	365,125	365,125	6710	22400	1530	420	<b>331190</b>
<b>660,4</b>	812,8	365,125	365,125	7210	20400	1430	395	<b>BT4B 328977 BG/HA1VA901</b>
<b>660,4</b>	812,8	365,125	365,125	6600	20400	1430	395	<b>BT4B 328977 G/HA1VA901</b>
<b>660,4</b>	812,8	365,125	365,125	7210	22400	1530	415	<b>BT4B 331190 BG/HA1</b>
<b>676</b>	910	620	620	14200	41500	2700	1150	<b>BT4B 332906/HA4</b>
<b>679,45</b>	901,7	542,45	635	12100	36000	2400	1030	<b>BT4B 334016 AG/HA1VA901</b>
<b>679,45</b>	901,7	552,45	552,45	12300	36500	2360	975	<b>331700</b>
<b>679,45</b>	901,7	552,45	552,45	13000	39000	2550	975	<b>BT4B 331700 AG/HA4</b>
<b>679,45</b>	901,7	552,45	552,45	13200	36000	2400	970	<b>BT4B 334015 BG/HA1VA901</b>
<b>679,45</b>	901,7	552,45	552,45	12100	36000	2400	975	<b>BT4B 334015 G/HA1VA901</b>
<b>679,45</b>	901,7	552,45	635	12100	36000	2400	1030	<b>BT4B 334016 G/HA1VA901</b>
<b>680</b>	930	700	700	18300	54000	3400	1625	<b>BT4B 328349/HA1</b>
<b>682,625</b>	965,2	701,675	701,675	17600	50000	3200	1750	<b>331503 G/HA4</b>
<b>682,625</b>	965,2	701,675	701,675	17200	49000	3100	1825	<b>BT4B 328558/HA4</b>
<b>682,625</b>	965,2	701,675	701,675	17200	49000	3100	650	<b>BT4B 334060 G/HA1VA901</b>
<b>685,8</b>	876	355,6	352,425	7810	22000	1500	525	<b>BT4B 331089 CG/HA1</b>
<b>685,8</b>	876,3	355,6	352,425	7210	22000	1500	530	<b>331089</b>
<b>685,8</b>	876,3	355,6	434,975	7210	22000	1500	580	<b>BT4B 328704 G/HA1</b>
<b>685,8</b>	876,3	355,6	352,425	7650	20000	1400	505	<b>BT4B 328955 ABG/HA1VA902</b>
<b>685,8</b>	876,3	355,6	352,425	7650	20000	1400	505	<b>BT4B 328955 BG/HA1VA902</b>
<b>685,8</b>	876,3	355,6	352,425	7210	20000	1400	505	<b>BT4B 328955 G/HA1VA901</b>
<b>685,8</b>	876,3	355,6	352,425	6930	20800	1430	530	<b>BT4B 331089 A/HA4</b>
<b>708,025</b>	930,275	565,15	565,15	13000	39000	2500	1030	<b>BT4B 332098 A/HA4</b>
<b>710</b>	900	410	410	8800	26500	1760	660	<b>331351</b>
<b>710</b>	900	410	410	8800	26500	1760	660	<b>BT4B 331351 AG/HA1</b>
<b>710</b>	900	410	410	9680	27000	1800	620	<b>BT4B 331351 BG/HA1</b>
<b>710</b>	900	410	410	8250	24000	1660	600	<b>BT4B 334051 G/HA1VA901</b>
<b>711,2</b>	914,4	317,5	317,5	7040	19300	1340	525	<b>330882 C</b>
<b>711,2</b>	914,4	317,5	317,5	6600	17300	1200	490	<b>BT4B 329010 G/HA1VA901</b>
<b>711,2</b>	914,4	387,35	425,45	7040	19300	1340	600	<b>BT4B 328988 G/HA1VA901</b>
<b>714,375</b>	1016	704,85	704,85	18700	53000	3350	1950	<b>BT4B 331358/HA4</b>

<b>717,55</b>	946,15	565,15	565,15	13400	40500	2650	1090	<b>332244</b>
<b>730</b>	940	500	500	12100	36000	2360	925	<b>331752</b>
<b>730,25</b>	1035,05	755,65	755,65	20500	58500	3600	2170	<b>330803 A</b>
<b>749,3</b>	990,6	605	605	15100	45500	2850	1250	<b>331616</b>
<b>749,3</b>	990,6	605	605	13200	40500	2600	1275	<b>BT4B 334082 G/HA1VA901</b>
<b>749,3</b>	1066,8	736,6	723,9	20500	58500	3600	2250	<b>331094 A</b>
<b>750</b>	950	410	410	10800	26500	1730	705	<b>BT4-8048 E/C725 *</b>
<b>750</b>	1130	690	690	20100	46500	2900	2430	<b>BT4B 328376/HA4</b>
<b>762</b>	1066,8	736,6	723,9	20500	58500	3600	2145	<b>331907</b>
<b>762</b>	1066,8	736,6	723,9	22000	58500	3600	2090	<b>BT4B 331907 BG/HA4</b>
<b>762</b>	1079,5	787,4	787,4	22400	65500	3900	2480	<b>330676 B</b>
<b>762</b>	1079,5	787,4	787,4	21200	61000	3750	2250	<b>BT4B 334075 G/HA1VA901</b>
<b>785</b>	1040	560	560	16000	41500	2600	1335	<b>BT4-8114 E/C700</b>
<b>812,8</b>	1143	768,35	768,35	22000	63000	3800	2590	<b>331248</b>
<b>825,5</b>	1168,4	844,55	844,55	26000	76500	4500	3050	<b>BT4B 331066 A/HA4</b>
<b>825,5</b>	1168,4	844,55	844,55	24600	73500	4300	2960	<b>BT4B 334135 G/HA4VA901</b>
<b>825,5</b>	1168,4	844,6	844,6	23600	76500	4400	2800	<b>BT4B 334040/HA4</b>
<b>850</b>	1360	910	910	34700	83000	4900	5440	<b>331069</b>
<b>863,6</b>	1130,3	669,925	669,925	19800	62000	3750	2000	<b>BT4B 328857/HA4</b>
<b>863,6</b>	1130,3	669,925	669,925	19800	62000	3750	2000	<b>BT4B 331123B</b>
<b>863,6</b>	1169,987	844,55	844,55	23800	76500	4400	2700	<b>BT4B 332967/HA4</b>
<b>863,6</b>	1169,987	844,55	844,55	23300	71000	4050	2630	<b>BT4B 334150 G/HA4VA901</b>
<b>863,6</b>	1181,1	666,75	666,75	20900	57000	3550	2150	<b>BT4B 331649/HA4</b>
<b>863,6</b>	1219,2	889	876,3	28100	81500	4750	3470	<b>BT4B 330742 A/HA4</b>
<b>877,888</b>	1220	844,55	844,55	26000	76500	4550	3080	<b>BT4B 332981/HA4</b>
<b>901,7</b>	1295,4	914,4	901,7	30800	86500	5000	4170	<b>330903 A</b>
<b>938,213</b>	1270	825,5	825,5	26000	81500	4650	3230	<b>330726 A</b>
<b>939,8</b>	1333,5	952,5	952,5	31900	95000	5300	4510	<b>BT4B 330944 AG/HA4</b>
<b>1001</b>	1360	800	800	27500	81500	4750	3390	<b>BT4B 334031/HA4</b>
<b>1003,3</b>	1358,9	800,1	800,1	27500	81500	4750	3450	<b>BT4B 331372/HA4</b>
<b>1070</b>	1400	889,762	889,762	30300	100000	5500	3730	<b>BT4B 328100/HA4</b>
<b>1080</b>	1450	950	950	33600	108000	5850	4450	<b>BT4B 331559/HA4</b>
<b>1139,825</b>	1509,712	923,925	923,925	33600	108000	5850	4840	<b>BT4B 331334/HA4</b>

<b>1200,15</b>	1593,85	990,6	990,6	38000	125000	6700	5635	<b>331440</b>
<b>1250</b>	1550	890	890	30300	114000	6000	3820	<b>BT4B 328819 G/HA1</b>
<b>1260</b>	1640	1000	1000	39100	143000	6950	5800	<b>BT4B 332124/HA4</b>
<b>1300</b>	1720	1040	1040	42900	140000	7350	7000	<b>BT4B 331950/HA4</b>
<b>1346,2</b>	1729,74	1143	1143	49500	163000	8300	6980	<b>BT4-8042 G/HA4</b>
<b>1370</b>	1765	1050	1035	42900	153000	7800	6960	<b>331349</b>
<b>1500</b>	1900	1080	1080	46800	170000	8300	7700	<b>BT4B 332078/HA4</b>
<b>1580</b>	1960	1080	1080	45700	176000	8650	7800	<b>BT4B 331934/HA4</b>