



LUOYANG BLG BEARING INC.

1907, Tower B, Multinational Ginza.
 12 Anhui RD, 471003 Luoyang China
 Tel: 86-379-6468 7568
 Fax: 86-379-6468 7169
 E-mail: info@blgbearing.sina.net

Single-row four point contact ball slewing bearings

Single-row four point contact ball slewing bearings is composed of two seat-rings. It features compact in design, light in weight, the balls contact with the circular raceway at four points, via which the axial force, radial force and resultant moment may be born simultaneously. According to whether with gears, Single-row four point contact ball slewing bearings can be divided into without gear type (Fig 1), internal gear type (Fig 2) and external gear type (Fig 3). They may be used for slewing conveyers, welding operating consoles, light, medium duty cranes, excavators and other engineering machines.

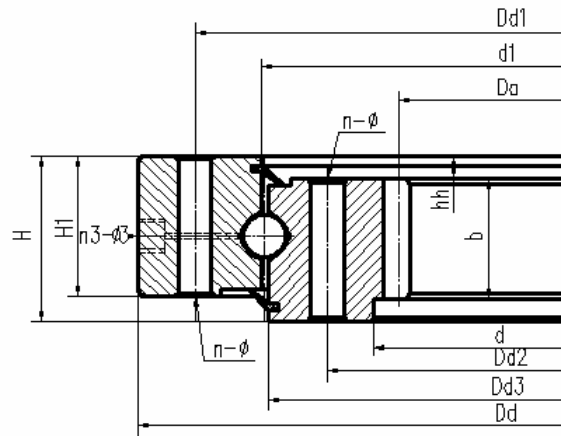


Fig 1 Single-row four point contact ball slewing bearings without gear

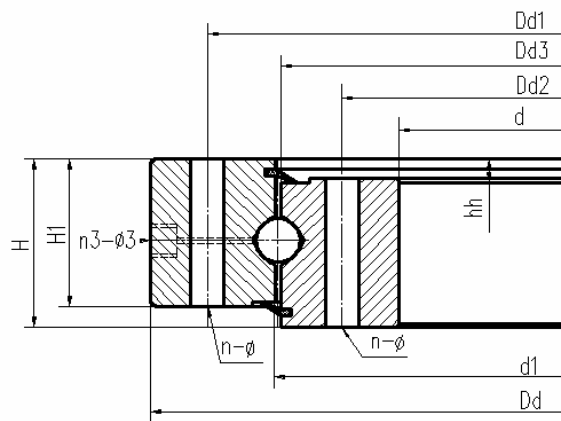


Fig 2 Single-row four point contact ball slewing bearings with internal gear

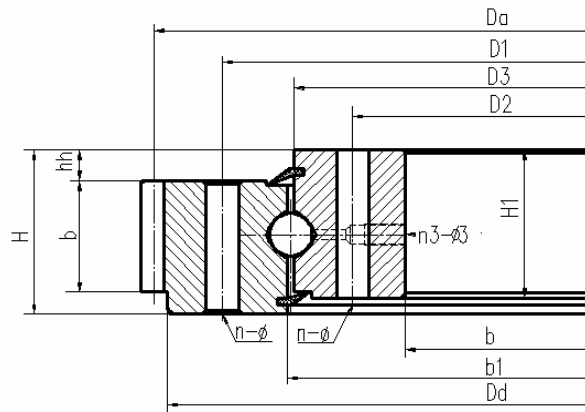


Fig 3 Single-row four point contact ball slewing bearings with internal gear

Dimensions	Dd	d	H	Dd1	Dd2	n	φ	Dd3	d1	H1	hh	n3	φ3	m	Da	Za	b	x
010. 40. 900	1022	778	100	978	822	30	22	898.5	901.5	90	10	6	M10×1					
011. 40. 900	1022	778	100	978	822	30	22	898.5	901.5	90	10	6	M10×1	8	1062.4	130	80	+0.5
012. 40. 900	1022	778	100	978	822	30	22	898.5	901.5	90	10	6	M10×1	10	1068	104	80	+0.5
013. 40. 900	1022	778	100	978	822	30	22	898.5	901.5	90	10	6	M10×1	8	739.2	93	80	+0.5
014. 40. 900	1022	778	100	978	822	30	22	898.5	901.5	90	10	6	M10×1	10	734	74	80	+0.5
010. 40. 1000	1122	878	100	1078	922	36	22	998.5	1001.5	90	10	6	M10×1					
011. 40. 1000	1122	878	100	1078	922	36	22	998.5	1001.5	90	10	6	M10×1	10	1188	116	80	+0.5
012. 40. 1000	1122	878	100	1078	922	36	22	998.5	1001.5	90	10	6	M10×1	12	1185.6	96	80	+0.5
013. 40. 1000	1122	878	100	1078	922	36	22	998.5	1001.5	90	10	6	M10×1	10	824	83	80	+0.5
014. 40. 1000	1122	878	100	1078	922	36	22	998.5	1001.5	90	10	6	M10×1	12	820.8	69	80	+0.5
010. 40. 1120	1242	998	100	1198	1042	36	22	1118	1122	90	10	6	M10×1					
011. 40. 1120	1242	998	100	1198	1042	36	22	1118	1122	90	10	6	M10×1	10	1298	127	80	+0.5
012. 40. 1120	1242	998	100	1198	1042	36	22	1118	1122	90	10	6	M10×1	12	1305.6	106	80	+0.5
013. 40. 1120	1242	998	100	1198	1042	36	22	1118	1122	90	10	6	M10×1	10	944	95	80	+0.5
014. 40. 1120	1242	998	100	1198	1042	36	22	1118	1122	90	10	6	M10×1	12	940.8	79	80	+0.5
010. 45. 1250	1390	1110	110	1337	1163	40	26	1248	1252	100	10	6	M10×1					
011. 45. 1250	1390	1110	110	1337	1163	40	26	1248	1252	100	10	6	M10×1	12	1449.6	118	90	+0.5
012. 45. 1250	1390	1110	110	1337	1163	40	26	1248	1252	100	10	6	M10×1	14	1453.2	101	90	+0.5
013. 45. 1250	1390	1110	110	1337	1163	40	26	1248	1252	100	10	6	M10×1	12	1048.8	88	90	+0.5
014. 45. 1250	1390	1110	110	1337	1163	40	26	1248	1252	100	10	6	M10×1	14	1041.6	75	90	+0.5
010. 45. 1400	1540	1260	110	1487	1313	40	26	1398	1402	100	10	6	M10×1					
011. 45. 1400	1540	1260	110	1487	1313	40	26	1398	1402	100	10	6	M10×1	12	1605.6	131	90	+0.5
012. 45. 1400	1540	1260	110	1487	1313	40	26	1398	1402	100	10	6	M10×1	14	1607.2	112	90	+0.5
013. 45. 1400	1540	1260	110	1487	1313	40	26	1398	1402	100	10	6	M10×1	123	1192.8	100	90	+0.5
014. 45. 1400	1540	1260	110	1487	1313	40	26	1398	1402	100	10	6	M10×1	14	1195.6	86	90	+0.5
010. 45. 1600	1740	1460	110	1687	1513	45	26	1598	1602	100	10	8	M10×1					

011. 45. 1600	1740	1460	110	1687	1513	45	26	1598	1602	100	10	8	M10×1	14	1817.2	127	90	+0.5
012. 45. 1600	1740	1460	110	1687	1513	45	26	1598	1602	100	10	8	M10×1	16	1820.8	111	90	+0.5
013. 45. 1600	1740	1460	110	1687	1513	45	26	1598	1602	100	10	8	M10×1	14	1391.6	100	90	+0.5
014. 45. 1600	1740	1460	110	1687	1513	45	26	1598	1602	100	10	8	M10×1	16	1382.4	87	90	+0.5
010. 45. 1800	1940	1660	110	1887	1713	45	26	1798	1802	100	10	8	M10×1					
011. 45. 1800	1940	1660	110	1887	1713	45	26	1798	1802	100	10	8	M10×1	14	2013.2	141	90	+0.5
012. 45. 1800	1940	1660	110	1887	1713	45	26	1798	1802	100	10	8	M10×1	16	2012.8	123	90	+0.5
013. 45. 1800	1940	1660	110	1887	1713	45	26	1798	1802	100	10	8	M10×1	14	1573.6	113	90	+0.5
014. 45. 1800	1940	1660	110	1887	1713	45	26	1798	1802	100	10	8	M10×1	16	1574.4	99	90	+0.5
010. 60. 2000	2178	1825	144	2110	1891	48	33	1998	2002	132	12	8	M10×1					
011. 60. 2000	2178	1825	144	2110	1891	48	33	1998	2002	132	12	8	M10×1	16	2268.8	139	120	+0.5
012. 60. 2000	2178	1825	144	2110	1891	48	33	1998	2002	132	12	8	M10×1	18	2264.4	123	120	+0.5
013. 60. 2000	2178	1825	144	2110	1891	48	33	1998	2002	132	12	8	M10×1	16	1734.4	109	120	+0.5
014. 60. 2000	2178	1825	144	2110	1891	48	33	1998	2002	132	12	8	M10×1	18	1735.2	97	120	+0.5
010. 60. 2240	2418	2065	144	2350	2131	48	33	2237.5	2242.5	132	12	8	M10×1					
011. 60. 2240	2418	2065	144	2350	2131	48	33	2237.5	2242.5	132	12	8	M10×1	16	2492.8	153	120	+0.5
012. 60. 2240	2418	2065	144	2350	2131	48	33	2237.5	2242.5	132	12	8	M10×1	18	2498.4	136	120	+0.5
013. 60. 2240	2418	2065	144	2350	2131	48	33	2237.5	2242.5	132	12	8	M10×1	16	1990.4	125	120	+0.5
014. 60. 2240	2418	2065	144	2350	2131	48	33	2237.5	2242.5	132	12	8	M10×1	18	1987.2	111	120	+0.5
010. 60. 2500	2678	2325	144	2610	2391	56	33	2497.5	2502.5	132	12	8	M10×1					
011. 60. 2500	2678	2325	144	2610	2391	56	33	2497.5	2502.5	132	12	8	M10×1	18	2768.4	151	120	+0.5
012. 60. 2500	2678	2325	144	2610	2391	56	33	2497.5	2502.5	132	12	8	M10×1	20	2776	136	120	+0.5
013. 60. 2500	2678	2325	144	2610	2391	56	33	2497.5	2502.5	132	12	8	M10×1	18	2239.2	125	120	+0.5
014. 60. 2500	2678	2325	144	2610	2391	56	33	2497.5	2502.5	132	12	8	M10×1	20	2228	112	120	+0.5
010. 60. 2800	2978	2625	144	2910	2691	56	33	2797.5	2802.5	132	12	8	M10×1					
011. 60. 2800	2978	2625	144	2910	2691	56	33	2797.5	2802.5	132	12	8	M10×1	18	3074.4	168	120	+0.5
012. 60. 2800	2978	2625	144	2910	2691	56	33	2797.5	2802.5	132	12	8	M10×1	20	3076	151	120	+0.5
013. 60. 2800	2978	2625	144	2910	2691	56	33	2797.5	2802.5	132	12	8	M10×1	18	2527.2	141	120	+0.5
014. 60. 2800	2978	2625	144	2910	2691	56	33	2797.5	2802.5	132	12	8	M10×1	20	2528	127	120	+0.5
010. 75. 3150	3376	2922	174	3286	3014	56	45	3147.5	3152.5	162	12	8	M10×1					
011. 75. 3150	3376	2922	174	3286	3014	56	45	3147.5	3152.5	162	12	8	M10×1	20	3476	171	150	+0.5
012. 75. 3150	3376	2922	174	3286	3014	56	45	3147.5	3152.5	162	12	8	M10×1	22	3471.6	115	150	+0.5
013. 75. 3150	3376	2922	174	3286	3014	56	45	3147.5	3152.5	162	12	8	M10×1	20	2828	142	150	+0.5
014. 75. 3150	3376	2922	174	3286	3014	56	45	3147.5	3152.5	162	12	8	M10×1	22	2824.8	129	150	+0.5
010. 75. 3550	3776	3322	174	3686	3414	56	45	3547.5	3552.5	162	12	8	M10×1					
011. 75. 3550	3776	3322	174	3686	3414	56	45	3547.5	3552.5	162	12	8	M10×1	20	3876	191	150	+0.5
012. 75. 3550	3776	3322	174	3686	3414	56	45	3547.5	3552.5	162	12	8	M10×1	22	3889.6	174	150	+0.5
013. 75. 3550	3776	3322	174	3686	3414	56	45	3547.5	3552.5	162	12	8	M10×1	20	3228	162	150	+0.5
014. 75. 3550	3776	3322	174	3686	3414	56	45	3547.5	3552.5	162	12	8	M10×1	22	3220.8	147	150	+0.5
010. 75. 4000	4226	3772	174	4136	3864	60	45	3997.5	4002.5	162	12	10	M10×1					

011.75.4000	4226	3772	174	4136	3864	60	45	3997.5	4002.5	162	12	10	M10×1	22	4329.6	194	150	+0.5
012.75.4000	4226	3772	174	4136	3864	60	45	3997.5	4002.5	162	12	10	M10×1	25	4345	171	150	+0.5
013.75.4000	4226	3772	174	4136	3864	60	45	3997.5	4002.5	162	12	10	M10×1	22	3660.8	167	150	+0.5
014.75.4000	4226	3772	174	4136	3864	60	45	3997.5	4002.5	162	12	10	M10×1	25	3660	147	150	+0.5
010.75.4500	4726	4272	174	4636	4364	60	45	4497.	4502.5	162	12	10	M10×1					
011.75.4500	4726	4272	174	4636	4364	60	45	4497.	4502.5	162	12	10	M10×1	22	4835.6	271	150	+0.5
012.75.4500	4726	4272	174	4636	4364	60	45	4497.	4502.5	162	12	10	M10×1	25	4845	191	150	+0.5
013.75.4500	4726	4272	174	4636	4364	60	45	4497.	4502.5	162	12	10	M10×1	22	4166.8	190	150	+0.5
014.75.4500	4726	4272	174	4636	4364	60	45	4497.	4502.5	162	12	10	M10×1	25	4160	167	150	+0.5