



LUOYANG BLG BEARING INC.

1907, Tower B, Multinational Ginza.
 12 Anhui RD, 471003 Luoyang China
 Tel: 86-379-6468 7568
 Fax: 86-379-6468 7169
 E-mail: info@blgbearing.sina.net

Tapered roller thrust bearings for press mechanism

Tapered roller thrust bearings for press mechanism have no retainers and the whole rollway nests full of tapered bearings. They have higher axial loads carrying capacity, but limiting speed is lower. In order to improve the operating performance, the bed of bearings' top ring is designed as a spheric face of matrix (type TTSV000) or prominence (type TTSXX000), which match with accurately grinding spheric end surface of press screw that have the same radius of curvature, they contact homogeneously and make bearings weighted uniformly when the press screw leans against the axial line. Tapered roller thrust bearings for press mechanism usually used in the press mechanism of rolling mill.

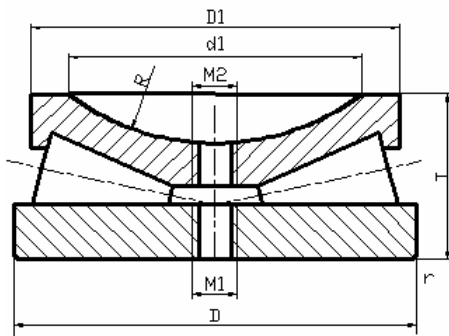


Fig 1 type TTSV000

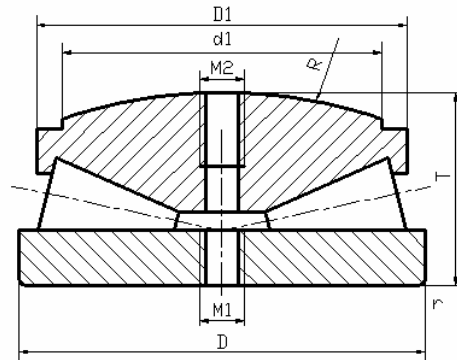


Fig2 type TTSXX000

Fig 1 type TTSV000 Tapered roller thrust bearings for press mechanism

Dimensions							Static load ratings	Mass	Current designation
D	D1	d 1	T	R	M1	M2	C ₀	kg	
mm							KN		
150	148	127	48	228.6	M12	--	1630	5	TTSV150
175	173	152	53	228.6	M12	--	2180	8	TTSV 175
203	201	178	65	254	M12	--	2540	11	TTSV203
235	233	208	73	280	M20	--	3370	18	TTSV235

265	263	229	81	304.8	M20	--	4130	24	TTSV 265
320	318	280	95	380	M24	--	7370	42	TTSV320
377	375	330	112	457.2	M24	--	8230	86	TTSV377
380	378	330	112	457.2	M24	M30	8220	67	TTSV 380
410	408	355	122	508	M24	M30	11300	115	TTSV 410
440	438	380	130	508	M24	M36	18500	140	TTSV 440
495	492	432	146	558.8	M24	M36	19100	198	TTSV 495
525	522	460	155	635	M24	M36	20380	210	TTSV 525
555	552	482	165	635	M24	M36	21380	275	TTSV 555
610	607	533	178	762	M30	M42	24170	350	TTSV 610
640	637	550	185	762	M30	M42	28670	410	TTSV 640

Fig 2 type TTSXX000 Tapered roller thrust bearings for press mechanism

D	D1	d 1	Dimensions				M1	M2	Static load ratings C ₀ KN	Mass Kg	Current designation
			T	R	mm						
150	148	127	55	457.2	M12	--	1630	7	TTSX150		
175	173	152	62	457	M12	--	2180	11	TTSX 175		
205	203	178	76	508	M20	--	2540	18	TTSX 205		
235	233	208	85	560	M20	--	3370	26	TTSX 235		
265	263	229	95	609.6	M20	--	4130	37	TTSX 265		
320	318	280	112	762	M20	--	7370	62	TTSX 320		
380	378	330	129	914.4	M24	M30	8550	101	TTSX 380		
410	408	355	142	1016	M24	M30	11300	130	TTSX 410		
440	438	380	152	1016	M24	M36	18500	160	TTSX 440		
495	492	432	172	1066.8	M24	M36	19100	210	TTSX 495		
525	522	460	180	1270	M24	M36	20380	250	TTSX 525		
555	552	482	192	1270	M24	M36	21380	280	TTSX 555		
580	577	510	195	1422.4	M24	M36	21540	310	TTSX 580		
610	607	533	205	1520	M30	M42	24170	410	TTSX 610		
640	637	550	214.8	1740	M30	M42	28670	450	TTSX 640		

710	705	610	250	1600	M30	M42	31540	850	TTSX 710
750	745	650	260	1600	M30	M48	38430	750	TTSX 750
800	795	700	270	1700	M30	M48	40150	930	TTSX 800